

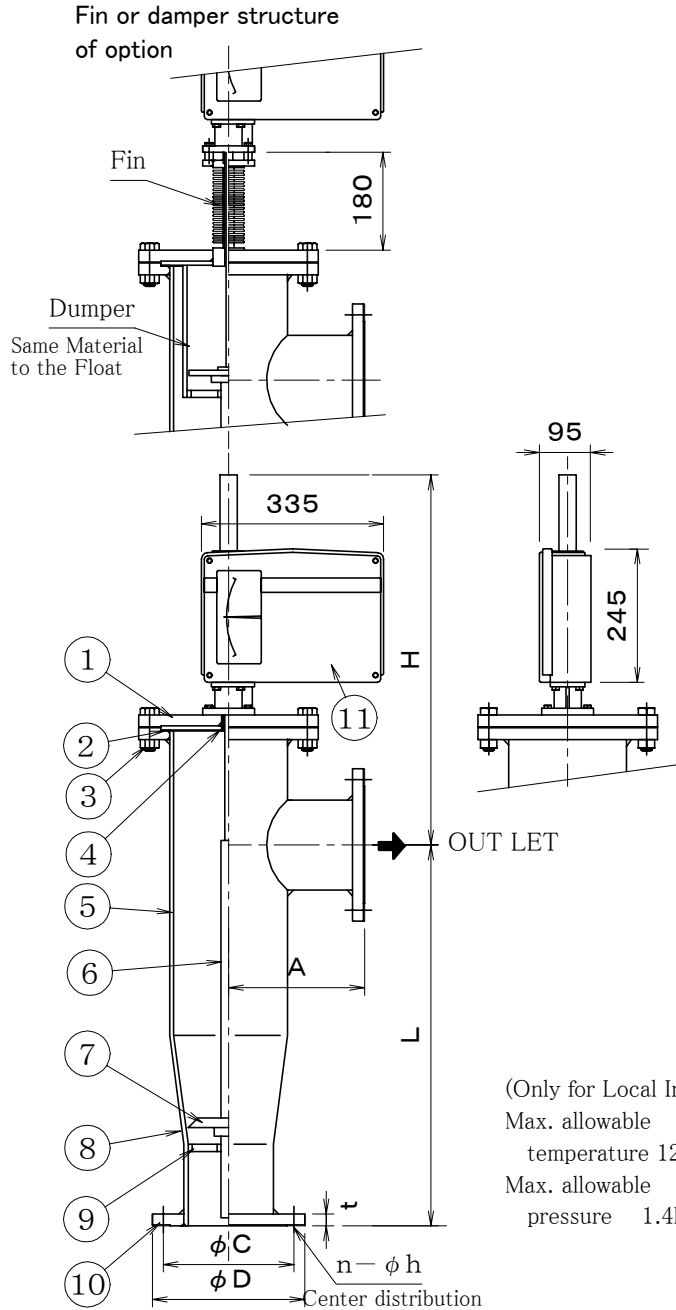
Estimate Request Sheet and Specification Drawing TO : SHOWA INSTRUMENT INFORMATION CO., LTD. Fax 03-3431-9413	Estimate Client		Date
	Company Name		
	Issuer by		Section
FAX		TEL	

Estimate it by this specification

TAG NO.		
Fluid Name		
Scale	Max.	
	Min.	
	Normal	
density SP.GR.		
Viscosity		
Temperature	°C	
Pressure	MPa	
Accuracy	±2% F.S	
Painting	Body:Munsell N-6.5	
	Case:Silver	
Connection Standard	JIS10K-RF	
Nominal Pipe Size		
Quantity		

A part of case externals differs by the kind of the option.
Please refer to an attached drawing of the table below.

Option of order (☒ Point)			
	Type	Option	
<input type="checkbox"/>	Non	Non	
<input type="checkbox"/>	E3	4-20mA Transmitter	
<input type="checkbox"/>	E3X	d2G4/4-20mA	
<input type="checkbox"/>	S3	Totalizer	
<input type="checkbox"/>	S3X	d2G4/Totalizer	
<input type="checkbox"/>	A31	1 Contact for Alarm	
<input type="checkbox"/>	A32	2 contact for Alarm	
<input type="checkbox"/>	A31X	d2G4/1 Contact for Alarm	
<input type="checkbox"/>	A32X	d2G4/2 Contact for Alarm	



(Only for Local Indicator)
 Max. allowable temperature 120°C
 Max. allowable pressure 1.4MPa

11	Case	ADC12	1
10	Flange	SS400	3
9	Stopper	SUS304	1
8	Taper Tube	SUS304	1
7	Float	SUS304	1
6	Rod	SUS304	1
5	Body	SUS304	1
4	Lead pipe	SUS304	1
3	Bolt/Nut	SS400	1set
2	Gasket	V/#1500	1
1	flange	SS400	1
No.	Part Name	Materials	Q'ty

Size	D	C	t	n-h	A	L	H		
125	250	210	20	8-φ23	220	650	670		
150	280	240	22	8-φ23	250	700	680		
200	330	290	22	12-φ23	280	800	745		
Name	Metal Taperd tube VARIABLE AREA FLOWMETER					Estimate	Made by	Aprobed by	
Model No.	ML-5030						Estimate No.		
SHOWA INSTRUMENT INFORMATION CO., LTD. Sales Department									