

Estimate Request Sheet and Specification Drawing		Estimate Client		Date
TO : SHOWA INSTRUMENT INFORMATION CO., LTD. Fax 03-3431-9413		Company Name		
		Issuer by		Section
		FAX		TEL

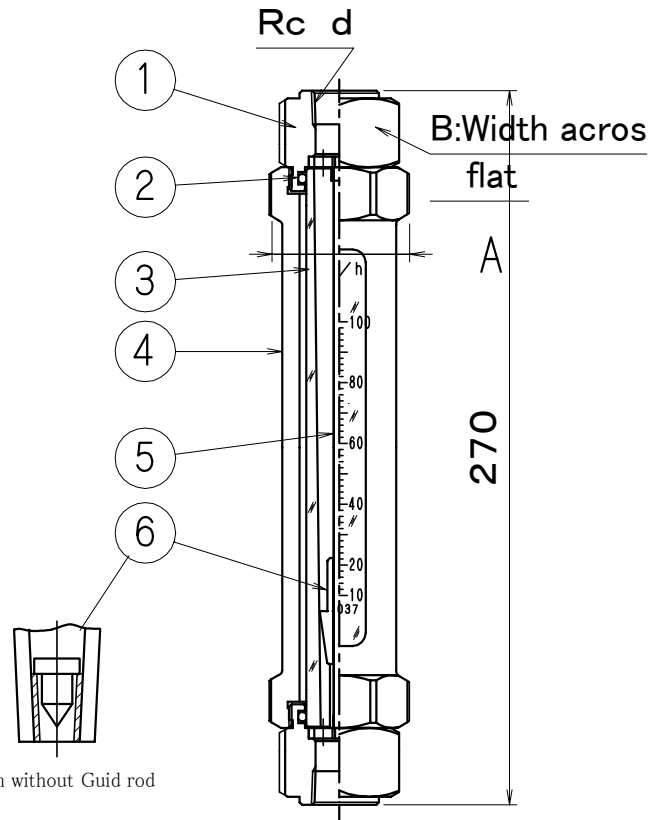
Estimate it by this specification

TAG NO.		
Fluid Name		
Scale	Max.	
	Min.	
	Normal	
density		
Viscosity		
Temperature	°C	
Pressure	MPa	
Accuracy	± 2% F.S	
Run a Way	Up ward	
Painted Color	N-6.5 Gray	
Connection Standard	Rc d	
Nominal Pipe Size		
Accessory		
Quantity		

Max. Operating pressure
 1.0MPa / less than 40A of pipe size
 0.8MPa / more than 50A of pipe size
 Max. Operating temperature 120°C

Nominal Size	Rc d	A	B
10A	Rc 3/8	52	41
15A	Rc 1/2	52	41
20A	Rc 3/4	62	46
25A	Rc 1	73	41 *

* cutting width across flat



6	Float	SUS304	1	
5	Rod	SUS304	1	
4	Housing	FCD40	1	Painting
3	Taperd Tube	polysulfone resin	1	
2	O-Ring	NBR	2	
1	Fitting	SUS304	2	
No.	Part Name	Materials	Q'ty	Remark

Name	transparent Taperd tube VARIABLE AREA FLOWMETER	Estimate	Made by	Aprobed by
Model No.	Screwed AP-0200		Estimate No.	
SHOWA INSTRUMENT INFORMATION CO., LTD. Sales Department				