

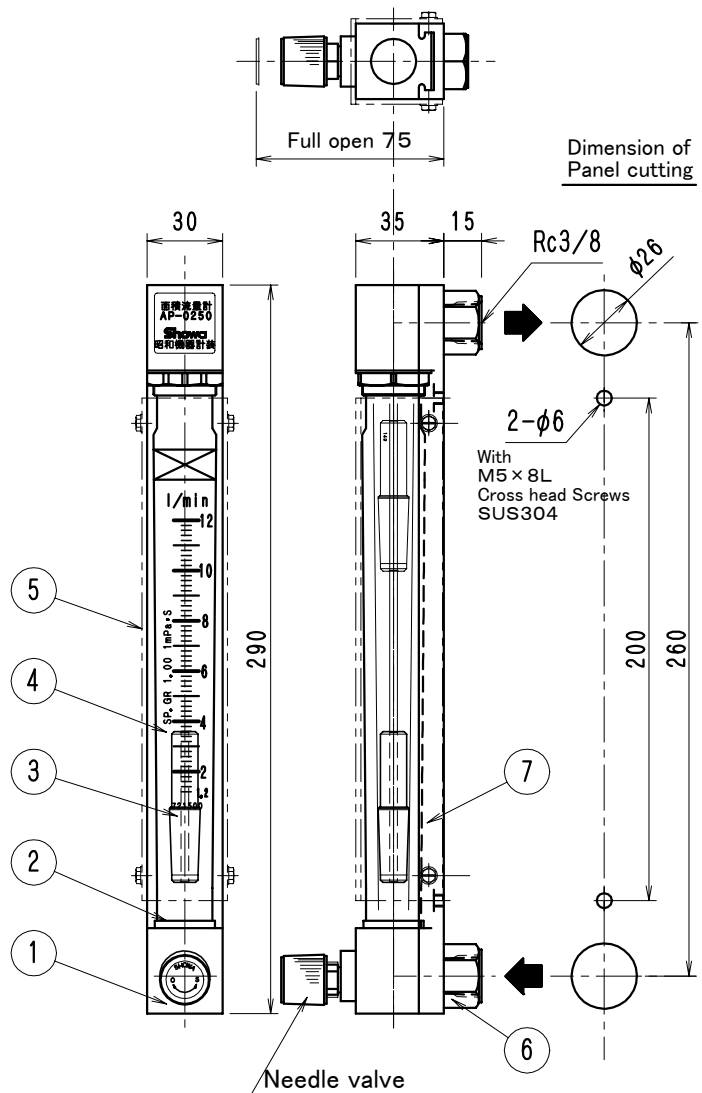
Estimate Request Sheet and Specification Drawing		Estimate Client		Date
TO : SHOWA INSTRUMENT INFORMATION CO., LTD. Fax 03-3431-9413		Company Name		
		Issuer by		Section
		FAX		TEL

Estimate it by this specification

TAG NO.		
Fluid Name		
Scale	Max.	
	Min.	
	Normal	
density		
Viscosity		
Temperature		°C
Pressure		MPa
Accuracy		±2% F.S
Run a Way		Up ward (rear to rear)
Outside Color		Black
Connection Standard		Rc 3/8
Accessory		
Quantity		

Max. Operating pressure 0.8MPa
Max. Operating temperature 80°C

Bottom Valve



7	Base	A6063	1	
6	Fitting and wetted parts	SUS304	1set	
5	Cover	Acrylic resin	1	
4	Taperd Tube	polysulfone resin	1	
3	Float		1	
2	Packing	NBR	1set	
1	Housing	A6063	2	
No.	Part Name	Materials	Q'ty	Remark

Name	transparent Taperd tube VARIABLE AREA FLOWMETER	Estimate	Made by	Aprobed by
	Model No.		Panel Mount AP-0250B	Estimate No.
SHOWA INSTRUMENT INFORMATION CO., LTD. Sales Department				