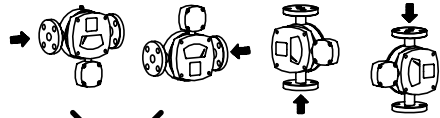
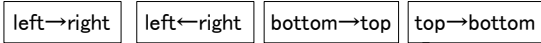


Estimate Request Sheet and Specification Drawing TO : SHOWA INSTRUMENT INFORMATION CO., LTD. Fax 03-3431-9413	Estimate Client		Date
	Company Name		
	Issuer by		Section
	FAX		TEL

Estimate it by this specification

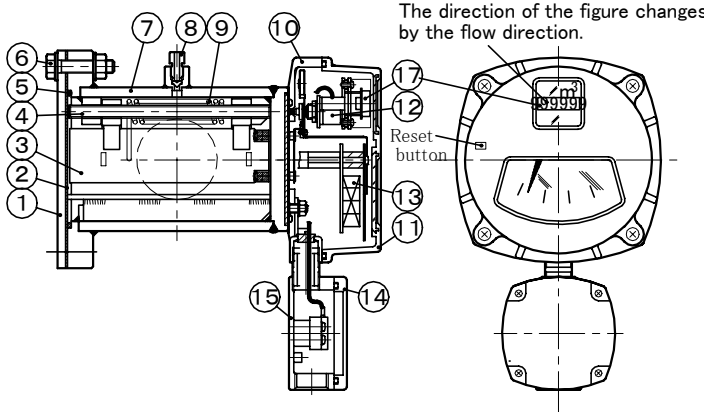
TAG NO.		
Fluid Name		
Scale	Max.	
	Min.	
	Normal	
density		
Viscosity		
Temperature		°C
Pressure		MPa
Accuracy		±3%FS
Out put		The pulse: O.C. 60V,350mA
Power supply		DC24V±10% More than one watt
Number of the digit		6 digits
Flow Direction		→
Painted Color		Body: Gray Case: Black
Connection		Standard JIS10K-FF
Nominal Pipe Size		
Quantity		

Flow direction and flowmeter position



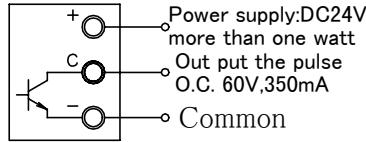
In as much as possible avoid using liquid:

do not install the model with the scale facing upwards.



16	Counter	Epoxy resin	1	
15	Terminal Box	ADC12	1	
14	Case Cover	Reinforced P.P	1	
13	V.F. board	Epoxy resin	1	
12	Potentiometer	SS400	1	
11	Case Cover	Reinforced P.P	1	
10	Case	ADC12	1	
9	Spring	3F Coating (SUS316)	1set	
8	Vent Plug	PVC	1	
7	Body	PVC	1	
6	Bolt/Nut	SUS304	1set	
5	O-Ring	Viton	1	
4	Shaft(SUS316)	Coating FEP/FRP	1	
3	Flapper	PVC	1	
2	Seal Plate	PVC	1	
1	Cover Flange	SUS304	1	

terminal board



Max. Operating pressure: 0.3MPs
Max. Operating temperature: 40°C

Name	Flapper type Variable Area Flowmeter PVC"FLAPTOR"®	Estimate	Made by	Aprobed by
Model No.	With integration Counter FC-0380		Estimate No.	

SHOWA INSTRUMENT INFORMATION CO., LTD.
Sales Department

No.	Part Name	Materials	Q'ty	Remark
-----	-----------	-----------	------	--------

