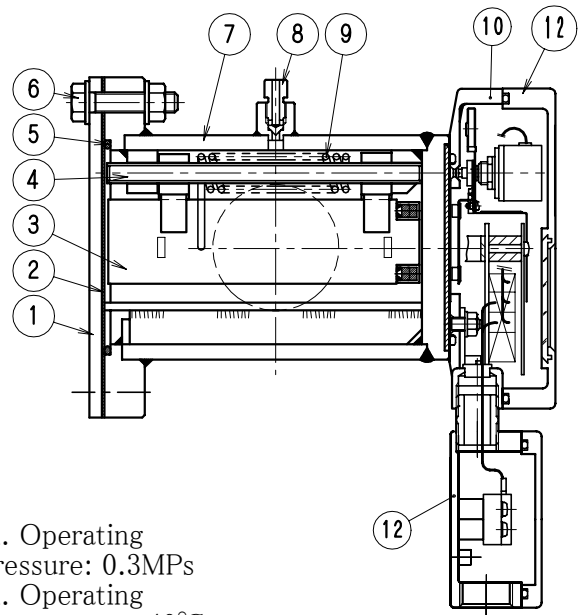
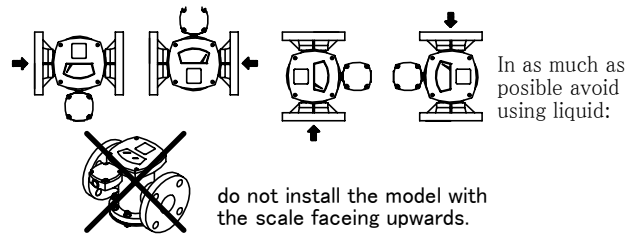
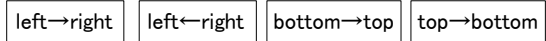


Estimate Request Sheet and Specification Drawing TO : SHOWA INSTRUMENT INFORMATION CO., LTD. Fax 03-3431-9413	Estimate Client		Date
	Company Name		
	Issuer by		Section
FAX		TEL	

Estimate it by this specification

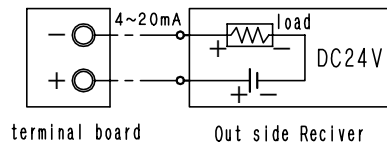
TAG NO.		
Fluid Name		
Scale	Max.	
	Min.	
	Normal	
density		
Viscosity		
Temperature	°C	
Pressure	MPa	
Accuracy and Characteristic	± 3%FS linear	
Out put	4-20mA 2 wire system Permissible resistance 550Ω	
Power supply	DC24V ± 10%	
Direction of flow	→	
Painted Color	Body: Gray / Case: Black	
Connection Standard	JIS10K-FF	
Nominal Pipe Size		
Accessory		
Quantity		

Flow direction and flowmeter position



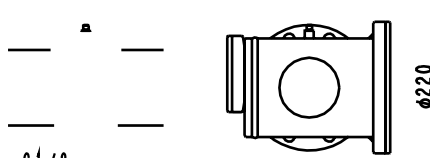
Max. Operating pressure: 0.3MPa
Max. Operating temperature: 40°C

Circuit connection



12	Terminal Box	ADC12	1	
11	Case Cover	Reinforced P.P	1	
10	Case	ADC12	1	
9	Spring	3F Coating (SUS316)	1set	
8	Vent Plug	PVC	1	
7	Body	PVC	1	
6	Bolt/Nut	SUS304	1set	
5	O-Ring	Viton	1	
4	Shaft(SUS316)	Coating FEP/FRP	1	
3	Flapper	PVC	1	
2	Seal Plate	PVC	1	
1	Cover Flange	SUS304	1	
No.	Part Name	Materials	Q'ty	Remark

Name	Flapper type Variable Area Flowmeter PVC "FLAPTOR" ®	Estimate	Made by	Aproved by
Model No.	with 4-20mA Transmitter FT-0370		Estimate No.	
SHOWA INSTRUMENT INFORMATION CO., LTD. Sales Department				

External View and dimensions	Material PVC FLAPTOR ^{2'}	2 2" ¥2 2 2 2 2 2 ¥2 2 2 2 2 2) ¥2 2 2 2
The dimensions of the case indicating section are the same regardless of the nominal size.		
2 2 2 or less	<p>Refer to a JIS standard of the flange's dimensions.</p> <p>(2 (2 2= ¥ (27 2C</p> <p>220</p> <p>n-hφ t 127</p> <p>φD φC</p> <p>G1/2</p> <p>The terminal box is not attached to FE-0350.</p>	<p>Nominal Pipe size 2</p> <p>2 2 2 Ⓞ4</p> <p>2 2 2 Ⓞ4</p> <p>2 2 2 Ⓞ2</p> <p>φ135</p>
2 2 2 2 2 2	<p>300</p> <p>H</p> <p>G1/2</p> <p>The terminal box is not attached to FE-0350.</p>	<p>Nominal Pipe size 2 ! 2(2</p> <p>2 2 2 260 20Ⓞ Ⓞ0</p> <p>2 2 2 300 2Ⓞ ⓄⓄ</p> <p>φE</p>
2 2 2 2 2 2 2 2	<p>330</p> <p>272</p>  <p>G1/2</p> <p>The terminal box is not attached to FE-0350.</p>	<p>Nominal Pipe size 2 ! 2</p> <p>Ⓞ0A 330 272 220</p> <p>Ⓞ5A 380 288 280</p>
2 2 2 2	<p>480</p> <p>350</p> <p>φ350</p> <p>G1/2</p> <p>The terminal box is not attached to FE-0350.</p>	