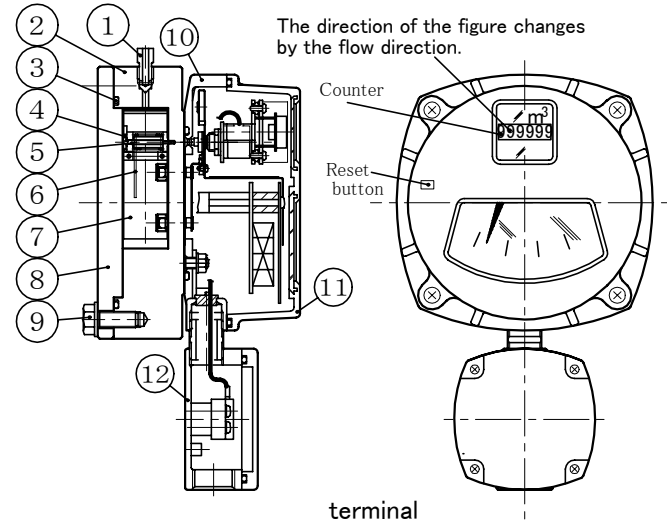
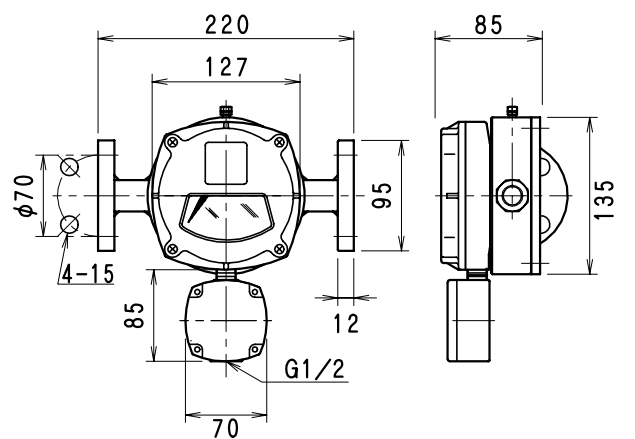
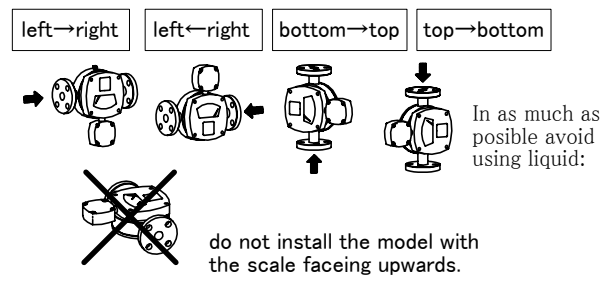


Estimate Request Sheet and Specification Drawing TO : SHOWA INSTRUMENT INFORMATION CO., LTD. Fax 03-3431-9413	Estimate Client		Date
	Company Name		
	Issuer by		Section
FAX		TEL	

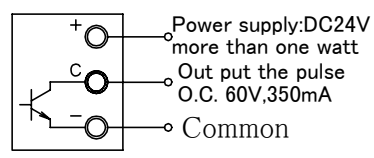
Estimate it by this specification

TAG NO.			
Fluid Name			
Scale	Max.		
	Min.		
	Normal		
density			
Viscosity			
Temperature		°C	
Pressure		MPa	
Acuracy		±3%FS	
Out put		The pulse: O.C. 60V,350mA	
Power supply		DC24V±10% More than one watt	
Number of the digit		6 digits	
Flow Direction		→	
Painted Color		Body: no paint Case: Black	
Connection Standard		JIS10K-FF	
Nominal Pipe Size		15A	
Quantity			

Flow direction and flowmeter position



Max. Operating pressure: 1.4MPa
Max. Operating temperature: 120°C



12	Terminal Box	ADC12	1
11	Case Cover	Reinforced P.P	1
10	Case	ADC12	1
9	Bolt/Nut	SUS304	8
8	Cover Flange	SUS304	1
7	Flapper	SUS316	1
6	Spring	SUS316	1
5	Shaft	SUS316	1
4	bearing plate	SUS304	1
3	O-Ring	NBR	1
2	Body	SUS304	1
1	Vent Plug	SUS304	1

Name	Flapper type Variable Area Flowmeter Small "FLAPTOR"®	Estimate	Made by	Aprobed by
Model No.	With integration Counter FC-0385		Estimate No.	

SHOWA INSTRUMENT INFORMATION CO., LTD.
Sales Department

No.	Part Name	Materials	Q'ty	Remark
-----	-----------	-----------	------	--------