

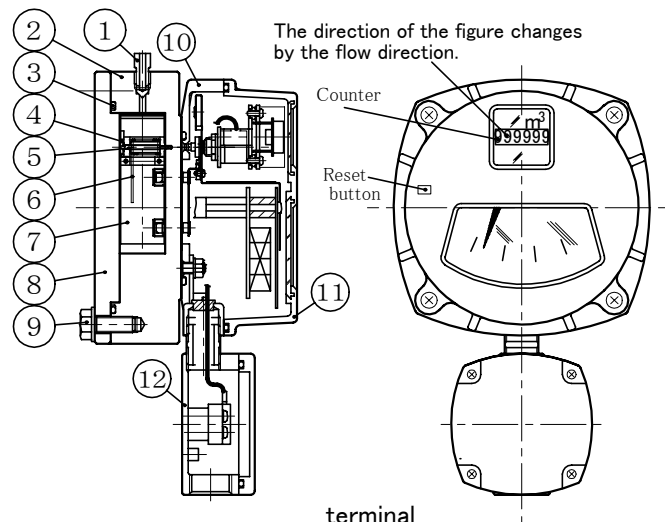
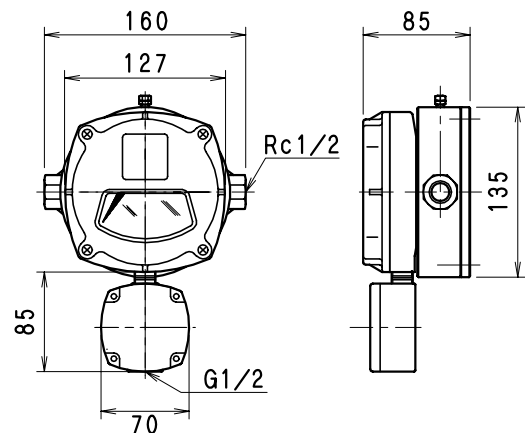
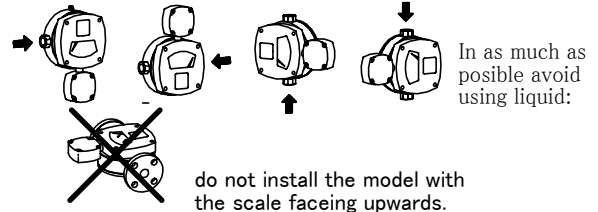
| | | | | |
|---|--|-----------------|--|---------|
| Estimate Request Sheet and Specification Drawing | | Estimate Client | | Date |
| TO : SHOWA INSTRUMENT INFORMATION CO., LTD. Fax 03-3431-9413 | | Company Name | | |
| | | Issuer by | | Section |
| | | FAX | | TEL |

Estimate it by this specification

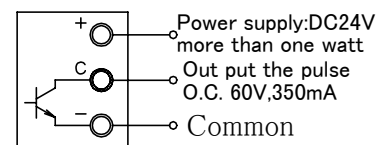
| | | | |
|---------------------|--------|---------------------------------|--|
| TAG NO. | | | |
| Fluid Name | | | |
| Scale | Max. | | |
| | Min. | | |
| | Normal | | |
| density | | | |
| Viscosity | | | |
| Temperature | | °C | |
| Pressure | | MPa | |
| Acuracy | | ±3%FS | |
| Out put | | The pulse: O.C. 60V,350mA | |
| Power supply | | DC24V±10% More than one watt | |
| Number of the digit | | 6 digits | |
| Flow Direction | | → | |
| Painted Color | | Body: no paint Case: Black | |
| Connection Standard | | JIS10K-FF | |
| Nominal Pipe Size | | 15A | |
| Quantity | | | |

Flow direction and flowmeter position

left→right left←right bottom→top top→bottom



terminal board



Max. Operating pressure: 1.4MPa
Max. Operating temperature: 120°C

| | | | | |
|-----|---------------|----------------|------|--------|
| 12 | Terminal Box | ADC12 | 1 | |
| 11 | Case Cover | Reinforced P.P | 1 | |
| 10 | Case | ADC12 | 1 | |
| 9 | Bolt/Nut | SUS304 | 8 | |
| 8 | Cover Flange | SUS304 | 1 | |
| 7 | Flapper | SUS316 | 1 | |
| 6 | Spring | SUS316 | 1 | |
| 5 | Shaft | SUS316 | 1 | |
| 4 | bearing plate | SUS304 | 1 | |
| 3 | O-Ring | NBR | 1 | |
| 2 | Body | SUS304 | 1 | |
| 1 | Vent Plug | SUS304 | 1 | |
| No. | Part Name | Materials | Q'ty | Remark |

| | | | | |
|--|---|----------|--------------|------------|
| Name | Flapper type Variable Area Flowmeter Small "FLAPTOR"® | Estimate | Made by | Aprobed by |
| Model No. | With integration Counter FC-0385 | | Estimate No. | |
| SHOWA INSTRUMENT INFORMATION CO., LTD. Sales Department | | | | |