

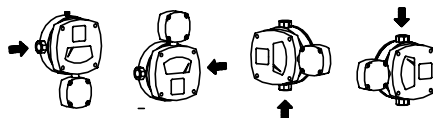
Estimate Request Sheet and Specification Drawing TO : SHOWA INSTRUMENT INFORMATION CO., LTD. Fax 03-3431-9413	Estimate Client		Date
	Company Name		
	Issuer by		Section
FAX		TEL	

Estimate it by this specification

TAG NO.		
Fluid Name		
Scale	Max.	
	Min.	
	Normal	
density		
Viscosity		
Temperature		°C
Pressure		MPa
Switching	Lower OFF Upper ON	
Set Point (Variable)		
Direction of flow		→
Accuracy		± 3% F. S
Painted Color		Body: no paint Case: Black
Connection Standard		Rc1/2
Nominal Pipe Size		15A
Accessory		
Quantity		

Flow direction and flowmeter position

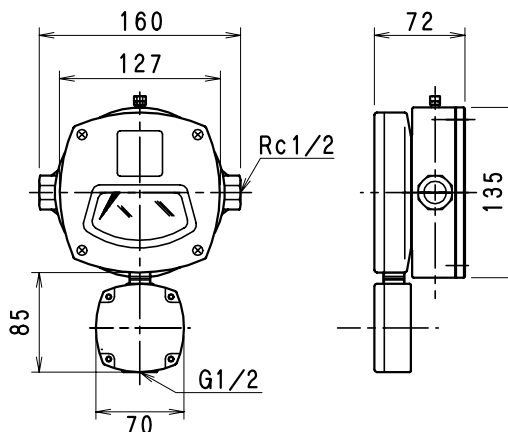
left→right left←right bottom→top top→bottom



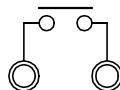
In as much as possible avoid using liquid:



do not install the model with the scale facing upwards.



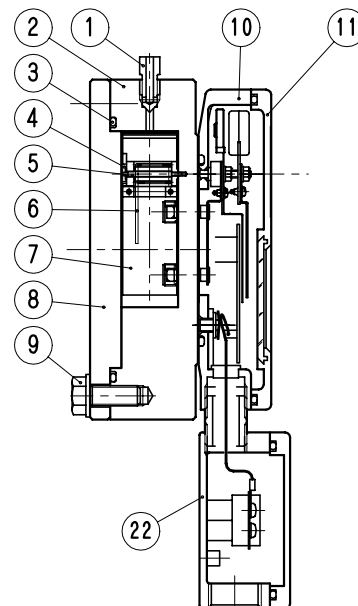
Internal Circuit



Contact Rating

Must not exceed the following:
 Contact capacity: MAX. 50VA
 Operating voltage: MAX. 220V AC/DC
 Operating current: MAX. 0.5A AC/DC

Max. Operating pressure: 1.4MPa
 Max. Operating temperature: 120°C



10	Terminal Box	ADC12	1	
11	Case Cover	Reinforced P.P	1	
10	Case	ADC12	1	
9	Bolt/Nut	SUS304	8	
8	Cover Flange	SUS304	1	
7	Flapper	SUS316	1	
6	Spring	SUS316	1	
5	Shaft	SUS316	1	
4	bearing plate	SUS304	1	
3	O-Ring	NBR	1	
2	Body	SUS304	1	
1	Vent Plug	SUS304	1	
No.	Part Name	Materials	Q'ty	Remark

Name	Flapper type Variable Area Flowmeter Small "FLAPTOR"®	Estimate	Made by	Approved by
Model No.	With Switch FE-0365		Estimate No.	

SHOWA INSTRUMENT INFORMATION CO., LTD.
Sales Department