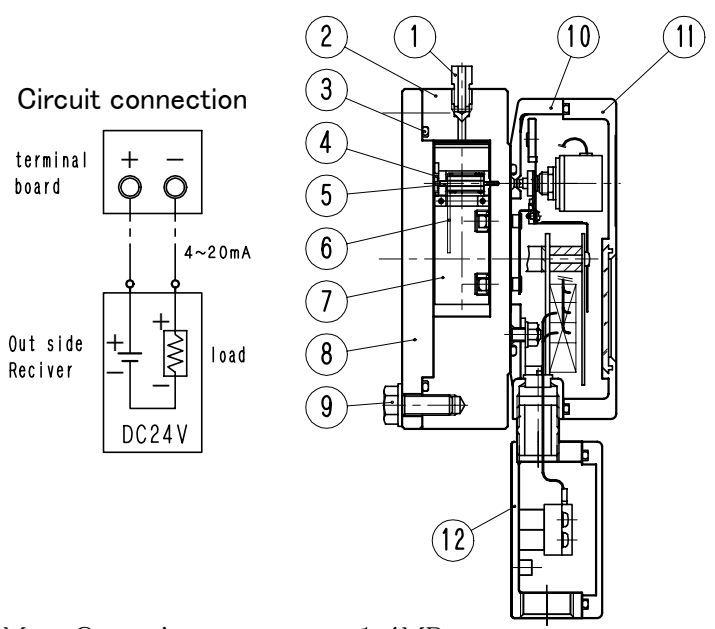
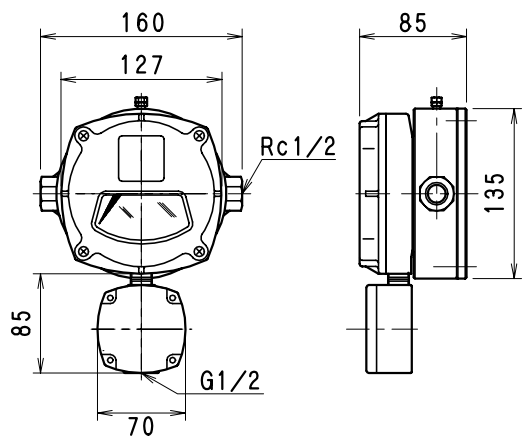
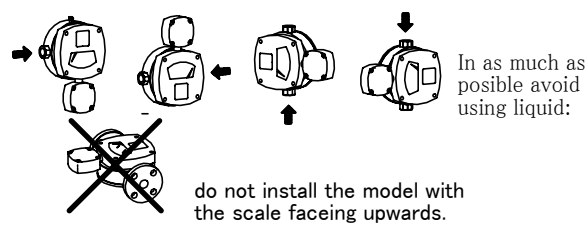
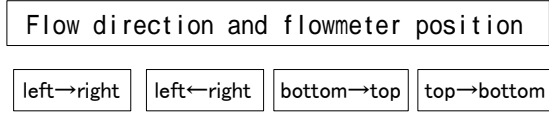


| | | | | |
|---|--|-----------------|---------|------|
| Estimate Request Sheet and Specification Drawing | | Estimate Client | | Date |
| TO : SHOWA INSTRUMENT INFORMATION CO., LTD. Fax 03-3431-9413 | | Company Name | | |
| | | Issuer by | Section | |
| | | FAX | TEL | |

Estimate it by this specification

| | | | |
|---------------------------|--------|--|--|
| TAG NO. | | | |
| Fluid Name | | | |
| Scale | Max. | | |
| | Min. | | |
| | Normal | | |
| density | | | |
| Viscosity | | | |
| Temperature | | °C | |
| Pressure | | MPa | |
| Accuracy and Carateristic | | ± 3%FS linear | |
| Out put | | 4-20mA 2 wire system Permissible resistance 550 Ω | |
| Power supply | | DC24V ± 10% | |
| Direction of flow | | → | |
| Painted Color | | Body: no paint Case: Black | |
| Connection Standard | | Rc1/2 | |
| Nominal Pipe Size | | 15A | |
| Accessory | | | |
| Quantity | | | |



Max. Operating pressure: 1.4MPs
Max. Operating temperature: 120°C

| | | | | |
|-----|---------------|----------------|------|--------|
| 10 | Terminal Box | ADC12 | 1 | |
| 11 | Case Cover | Reinforced P.P | 1 | |
| 10 | Case | ADC12 | 1 | |
| 9 | Bolt/Nut | SUS304 | 8 | |
| 8 | Cover Flange | SUS304 | 1 | |
| 7 | Flapper | SUS316 | 1 | |
| 6 | Spring | SUS316 | 1 | |
| 5 | Shaft | SUS316 | 1 | |
| 4 | bearing plate | SUS304 | 1 | |
| 3 | O-Ring | NBR | 1 | |
| 2 | Body | SUS304 | 1 | |
| 1 | Vent Plug | SUS304 | 1 | |
| No. | Part Name | Materials | Q'ty | Remark |

| | | | | |
|--|--|----------|--------------|------------|
| Name | Flapper type Variable Area Flowmeter Small "FLAPTOR" ® | Estimate | Made by | Aprobed by |
| Model No. | with 4-20mA Transmitter FT-0375 | | Estimate No. | |
| SHOWA INSTRUMENT INFORMATION CO., LTD. Sales Department | | | | |