

Estimate Request Sheet and Specification Drawing TO : SHOWA INSTRUMENT INFORMATION CO., LTD. Fax 03-3431-9413	Estimate Client		Date
	Company Name		
	Issuer by		Section
FAX		TEL	

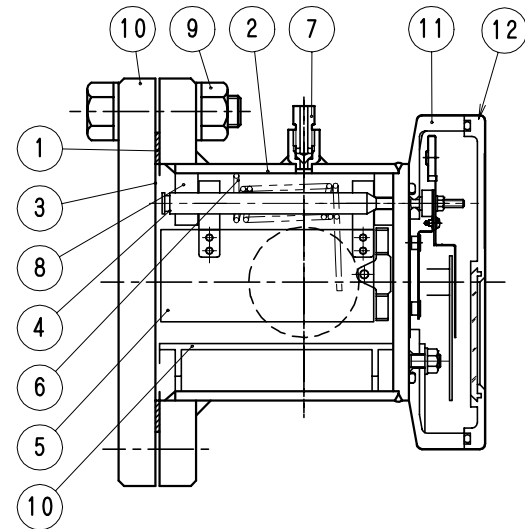
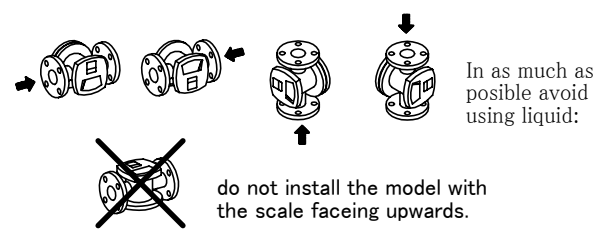
Estimate it by this specification

TAG NO.		
Fluid Name		
Scale	Max.	
	Min.	
	Normal	
density		
Viscosity		
Temperature		°C
Pressure		MPa
Direction of flow		→
Accuracy		±3%F.S
Painted Color		Body: no paint Case: Black
Connection Standard		JIS10K-FF
Nominal Pipe Size		
Accessory		
Quantity		

Max. Operating pressure: 0.3MPa
Max. Operating temperature: 40°C

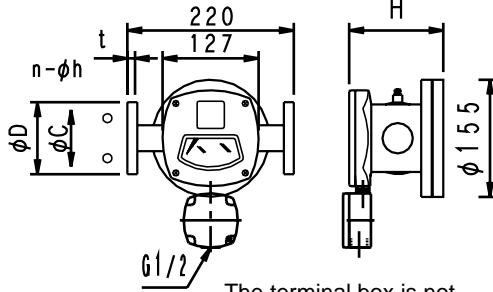
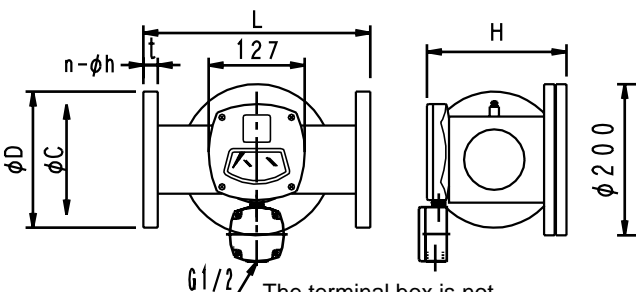
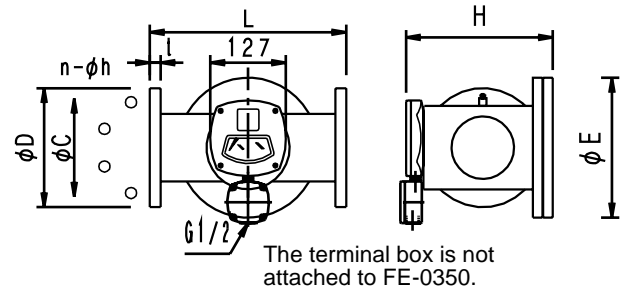
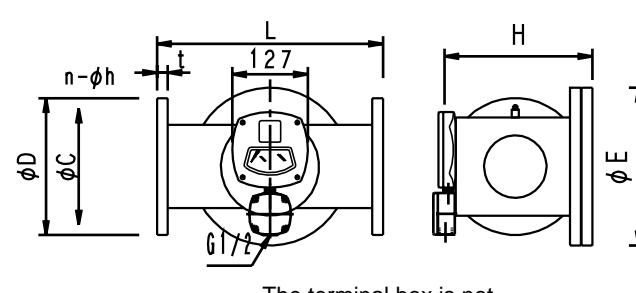
Flow direction and flowmeter position

left→right left←right bottom→top top→bottom



12	Case Cover	Reinforced P.P	1	
11	Case	ADC12	1	
10	Cover Flange	SS400	1	
9	Bolt/Nut	SS400	1set	
8	Bearing	SCS14	1set	
7	Vent Plug	SUS304	1	
6	Spring	SUS304	1set	
5	Flapper	SUS304	1	
4	Shaft	SUS304	1	
3	Seal Plate	SUS304	1	
2	Body	SS400	1	
1	Gasket	T/#1000	1	
No.	Part Name	Materials	Q'ty	Remark

Name	Flapper type Variable Area Flowmeter "FLAPTOR" ®	Estimate	Made by	Aproved by
Model No.	Indicating only FM-0350		Estimate No.	
SHOWA INSTRUMENT INFORMATION CO., LTD. Sales Department				

External View and dimensions		Material PVC FLAPTOR ^②	2 2" ¥2 2 2 2 2 2 ¥2 2 2 2 2 2) ¥2 2 2 2
The dimensions of the case indicating section are the same regardless of the nominal size.			
2 2 2 or less	Refer to a JIS standard of the flange's dimensions. (2 (2 2= ¥ (27 2C  <p>The terminal box is not attached to FE-0350.</p>	Nominal Pipe size	2
			2 2 2 Ⓟ 2 2 2 Ⓟ 2 2 2 Ⓟ 2 2 2 Ⓟ 2 2 2 Ⓟ 2 2 2 Ⓟ
2 2 2 2 2 2	 <p>The terminal box is not attached to FE-0350.</p>	Nominal Pipe size	2 ! 2
			2 2 2 260 Ⓟ 2 2 2 300 Ⓟ
2 2 2 2 2 2 2 2	 <p>The terminal box is not attached to FE-0350.</p>	Nominal Pipe size	2 ! 2
			Ⓟ0A 330 247 235 Ⓟ5A 380 259 330
2 2 2 2 «	 <p>The terminal box is not attached to FE-0350.</p>	Nominal Pipe size	2 ! 2
			Ⓟ0A 480 3 Ⓟ 330 200A 650 375 400 250A 680 42 Ⓟ 455 300A 720 477 490