

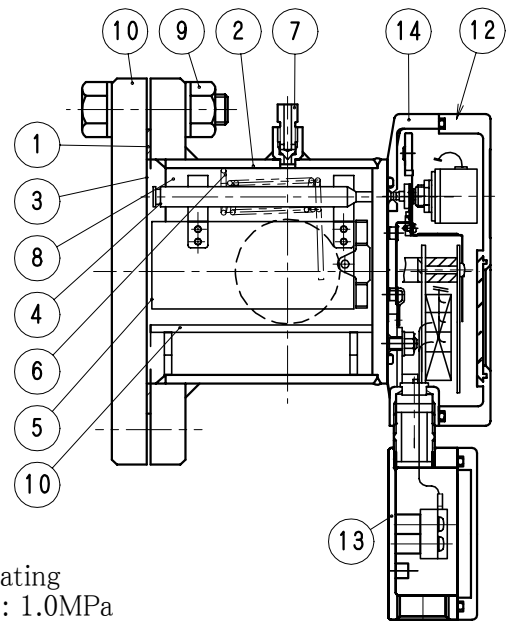
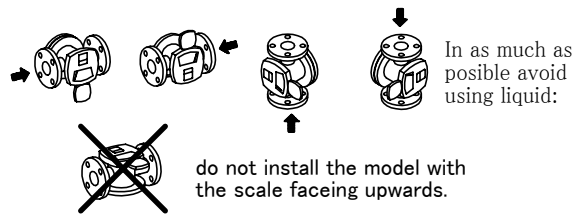
<b>Estimate Request Sheet and Specification Drawing</b>  <b>TO : SHOWA INSTRUMENT INFORMATION CO., LTD.</b> <b>Fax 03-3431-9413</b>	Estimate Client		Date
	Company Name		
	Issuer by		Section
FAX		TEL	

Estimate it by this specification

TAG NO.		
Fluid Name		
Scale	Max.	
	Min.	
	Normal	
density		
Viscosity		
Temperature		°C
Pressure		MPa
Accuracy and Characteristic		± 3%FS linear
Out put		4-20mA 2 wire system Permissible resistance 550Ω
Power supply		DC24V± 10%
Direction of flow		→
Painted Color		Body: Gray / Case: Black
Connection Standard		JIS10K-FF
Nominal Pipe Size		
Accessory		
Quantity		

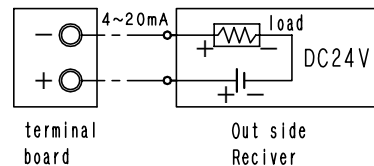
Flow direction and flowmeter position

left→right   left←right   bottom→top   top→bottom



Max. Operating pressure: 1.0MPa  
Max. Operating temperature: 100°C

Circuit connection



13	Terminal Box	ADC12	1	
12	Case Cover	Reinforced P.P	1	
11	Case	ADC12	1	
10	Cover Flange	SS400	1	
9	Bolt/Nut	SS400	1set	
8	Bearing	SCS14	1set	
7	Vent Plug	SUS304	1	
6	Spring	SUS304	1set	
5	Flapper	SUS304	1	
4	Shaft	SUS304	1	
3	Seal Plate	SUS304	1	
2	Body	SS400	1	
1	Gasket	T/#1000	1	
No.	Part Name	Materials	Q'ty	Remark

Name	Flapper type Variable Area Flowmeter "FLAPTOR" ®	Estimate	Made by	Aproved by
	Model No.		With Transmitter FT-0370	Estimate No.
<b>SHOWA INSTRUMENT INFORMATION CO., LTD.</b> <b>Sales Department</b>				

External View and dimensions	Material Metal <b>FLAPTOR</b> <sup>2'</sup>	2 2" ¥2 2 2 2
		2 2 ¥2 2 2 2
		2 2) ¥2 2 2 2
		2 2 ¥2 2 2 2

The dimensions of the case indicating section are the same regardless of the nominal size.

2 2 2 or less	<p>Refer to a JIS standard of the flange's dimensions. (2 (2 2= ¥ (27 2C</p> <p>The terminal box is not attached to FE-0350.</p>	Nominal Pipe size 2	
		2 2 2 86	
		2 2 2 86	
		2 2 2 96	
		2 2 2 Ⓡ Ⓡ	
		2 2 2 Ⓡ Ⓡ Ⓡ	
2 2 2 Ⓡ Ⓡ			
A dimension is the same for 65 and 80A			
2 2 2 2 2 2	<p>The terminal box is not attached to FE-0350.</p>	Nominal Pipe size 2 ! 2	
		2 2 2 260 Ⓡ8	
		2 2 2 300 Ⓡ8	
		A dimension is each bore commonness.	
		Model	2
		2 2" ¥2 2 2 2	2 2
2 2 ¥2 2 2 2	2 2		
2 2) ¥2 2 2 2	2 2		
2 2 ¥2 2 2 2	2 2		
2 2 2 2 2 2 2 2	<p>The terminal box is not attached to FE-0350.</p>	Nominal Pipe size 2 ! 2	
		Ⓡ0A 330 2 Ⓡ 235	
		Ⓡ5A 380 230 330	
		A dimension is the same for 65 and 80A	
2 2 2 2 «	<p>The terminal box is not attached to FE-0350.</p>	Nominal Pipe size 2 ! 2	
		Ⓡ0A 480 284 330	
		200A 650 346 400	
		250A 680 392 455	
		300A 720 448 490	
		A dimension is the same for 65 and 80A	